

*Features:

- HALED patent optics design, similar to halogen light effect
- Easy and quick installation
- PF>0.85, flicker free, follows new ErP
- Dimmable or Dim to warm halogen function by triac dimmer
6W HALED downlight replace 75W halogen lamp
- CRI 95, R9>90
- Low UGR
- Peak luminous intensity is 1.25 times of parallel products
- Suitable for all kinds of unenclosed luminaire
- Metal structure, excellent heat dissipation
- Lifespan 40,000 hrs, 5 years warranty
- High energy efficiency



CE RoHS ErP

Surface ring: White/ Nackle

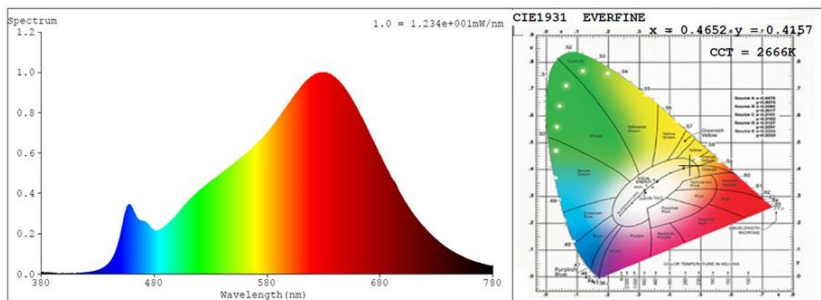
Applications

- Residential application and hotel lighting.
- Commercial lighting like restaurants, bars,cafes, etc.

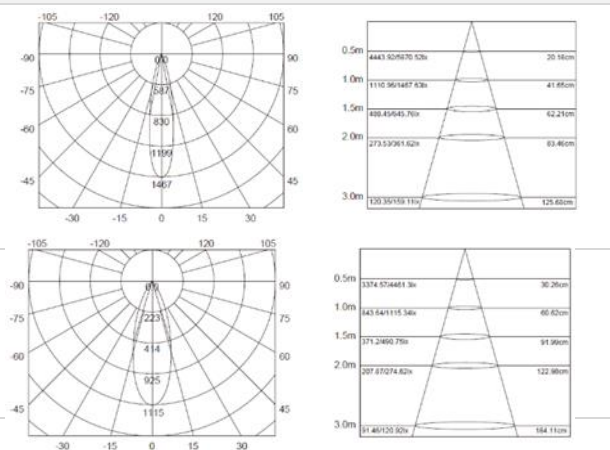
Technical data

Part No.	Type of installation		
DSW002K/W06	Double wiring		
Electrical specifications			
Wattage (W)	6W	Power factor	>0.75
AC input voltage (V)	AC200V-240V	Current	30mA
Frequency (Hz)	50/60Hz	DC output voltage (V)	-
Ficker metric PST	0.023	Stroboscopic effect metric SVN	0.25
Total harmonic distortion (THD)	27%	Dimmable	Dimmable
Max. no. of lamps on B16A circuit breaker	420	Max. no. of lamps on C10A circuit breaker	240
Max. no. of lamps on C16A circuit breaker	420		
Photometric specifications			
Color temperature (CCT)	2700K/3000K	CRI/ R9	95/ 90(Min.)
Chromaticity coordinate (x/ y)	2700K: 0.459/ 0.412	Standard deviation of colour	≤3SDCM
Useful luminous flux (lm)	500lm± 5%	Luminous efficiency (lm/W)	98lm/ W (ERP)
UGR	≤19		

Photometric Information



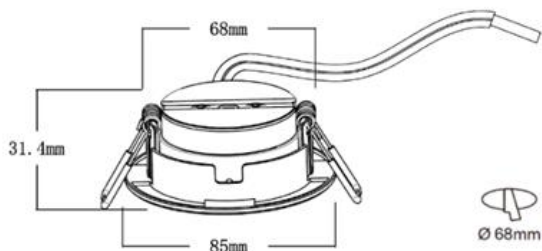
EAN	Colour	Beam angle	Peak Luminous intensity
49022(2700K)	White	24°	1450cd
49023(3000K)			
49032(2700K)	Nickle	24°	1450cd
49033(3000K)			
49027(2700K)	White	36°	1100cd
49028(2700K)			
49037(2700K)	Nickle	36°	1100cd
49038(3000K)			



Mechanical specifications	
Housing material	Aluminium
Optical cover/ lens material	Al Reflector+PC+Glass
Width/ diameter	50mm
Product weight	82g
Lifespan	
Number of switching cycles	100,000-
L80/B10 service life at 25°C	40,000 hrs
Warranty	5 Years
Application parameters	
Working temperatuer range	-20~+50°C
Package	
Individual package length	50mm
Individual package height	40mm
Individual package width	50mm
Gross weight (single item)	82g
Driver	Internal

Housing Colour	Titanium
Length/ diameter	50mm
Height	36mm
Lifespan	
L70/B50 service life at 25°C	50,000 hrs
L90/B10 service life at 25°C	20,000 hrs
Application parameters	
Storage temperature range	-20~+70°C
Package	
Shipping box height	580mm
Shipping box height	185mm
Shipping box width	285mm
Packaging unit	150pcs
Gross weight (Shipping box)	14kgs

Technical Drawings (mm)



Note: Height between the module and roof should be no less than 10cm for heat dissipation purpose for installation.

Package



Inner Box 50*50*40mm



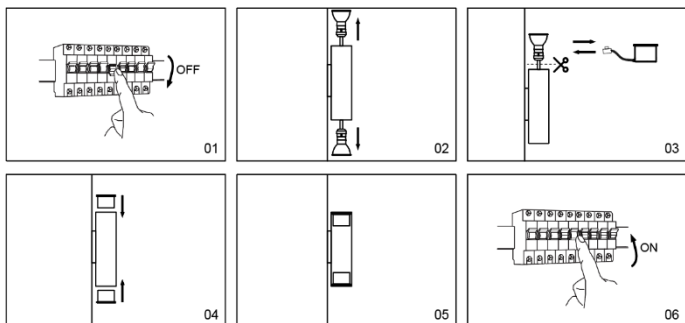
Inner Carton 270*110*55mm(10PCS)



Shipping Carton 580*285*185mm(150PCS)

Installation /Mounting:

Please read the entire instruction manual before using the product and reserve it for future reference. We reserve the right for any error in text or image and any necessary change made to technical data. If you have any question regarding technical problems, please contact our Customer Services.



Cautions:

- Don't touch the lamp when it is lighted
- Don't use it in enclosed luminaire
- Power off before replacement
- Do not in violation of any fire regulations when using
- Consult professional electricians for technical support
- If the cable is damaged, it must be replaced by the manufacturer and its service agent, or qualified person in order to avoid hazards.